

FLAME SENSOR (Ultraviolet rays detection)

FS-3500E (Message type / Indoor)



FIRE PROHIBITION/NON-SMOKING MESSAGE AVAILABLE IN FIVE LANGUAGES

FS-3500E detects ultraviolet rays in the flame and outputs the recorded warnings.

FIRE PROHIBITION AND NON-SMOKING MESSAGE IN 5 LANGUAGES

Japanese/English/Chinese/Korean/Spanish messages available. Fire prohibition or No-smoking messages in each language can be chosen. The buzzer (sound) can be also selectable.

《Non-smoking》

JAP. 『ここは禁煙です。お煙草はご遠慮ください。』

ENG. 『This is a non-smoking area. Please refrain from smoking in this area.』

CHI. 『这里是禁烟处。请不要抽烟。』

KOR. 『여기는 금연 구역입니다. 담배는 삼가하시기 바랍니다.』

SPA. 『Prohibido fumar. Absténgase de fumar en el servicio.』

《Fire prohibition》

JAP. 『ここは火気厳禁です。火気の使用はお断りいたします。』

ENG. 『Open flame is prohibited. Please refrain from using open flame in this area.』

CHI. 『此处严禁用火。请不要用火。』

KOR. 『여기는 화기 엄금 구역입니다. 화기 사용을 금지합니다.』

SPA. 『Prohibido encender fuego. No se permite el uso de productos inflamables en el servicio.』

OUTPUT MESSAGE CAN BE CHOSEN

Warnings can be selected from 5 languages and 2 kinds of message according to the requirement.

REPEATED MESSAGE

Message can be announced just once or twice.

DETECTION SENSITIVITY AND DETECTION TIMER ADJUSTMENT

In order to cope with external environment, 2 levels of sensitivity and 4 steps of timer can be selected.

2 WAYS POWER SUPPLY SELECTABLE

* Type-AA alkaline battery

* External wiring DC10-30V

ALARM OUTPUT

Signal output (N.O./N.C. selectable) and tamper output (N.C.) available

CUSTOMIZED MESSAGE POSSIBLE

Recorded message can be customized upon request.

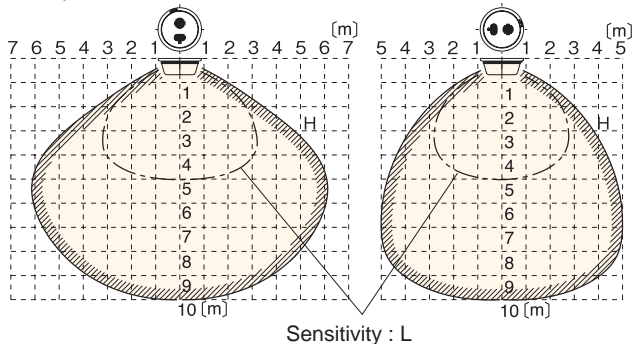
FLAME SENSOR

DETECTION AREA

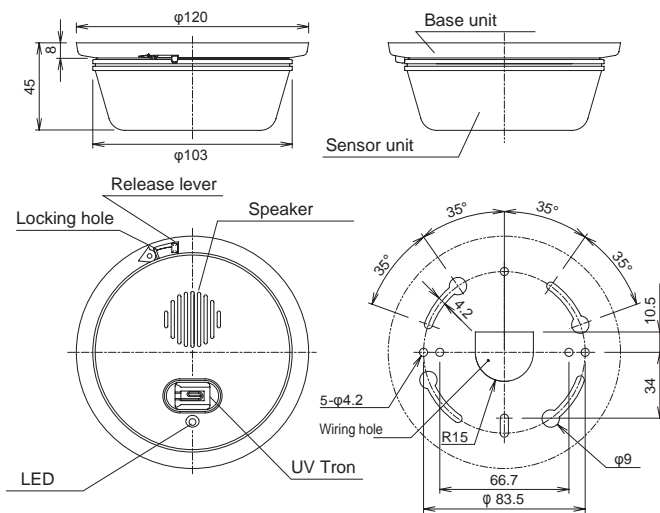
Object : Flame gas lighter (7cm)
Sensitivity : H
Detection timer : 1 sec.

Front view : Ceiling mount
Top view : Wall mount

Side view : Ceiling / wall mount



DIMENSIONS (mm)



OPTIONAL

- Ceiling / wall mount attachment BCW-401



SPECIFICATIONS

Model	Flame sensor
Model No.	FS-3500E
Detection system	Ultraviolet Rays detection (185~ 260nm)
Detection distance	10m (7cm flame)
Detection angle	120° Conically
Detection sensitivity	Detection sensitivity: 2 levels (H [100%] L [50%]) Detection timer : 4 setps (1s, 3s, 6s, 15s)
Power supply	Type-AA alkaline battery (LR6) 2pcs / DC3V...included External wiring DC10~ 30V (Polarized)
Battery life	Type-AA alkaline battery Approx. 2 years (Stand-by) (Note above figure is just a reference and not guaranteed)
Power consumption (External DC power)	Stand-by : 40mA or less Alarm : 300mA or less
Signal output	Relay contact output N.O./N.C. selectable Detection time plus 2 sec. Output DC30V 0.1A
LED	Indication : RED Alarm : Flash during message output Low battery : Flash 0.1sec every 5sec
Message	<ul style="list-style-type: none"> 5 languages Non-smoking <ul style="list-style-type: none"> ① JAP. 『ここは禁煙です。お煙草はご遠慮ください。』 ② ENG. 『This is a non-smoking area. Please refrain from smoking in this area.』 ③ CHI. 『这里是禁烟处。请不要抽烟。』 ④ KOR. 『여기는 금연 구역입니다. 담배는 삼가하시기 바랍니다.』 ⑤ SPA. 『Prohibido fumar. Absténgase de fumar en el servicio.』 Fire prohibition <ul style="list-style-type: none"> ① JAP. 『ここは火気厳禁です。火気の使用はお断りいたします。』 ② ENG. 『Open flame is prohibited. Please refrain from using open flame in this area.』 ③ CHI. 『此处严禁用火。请不要用火。』 ④ KOR. 『여기는 화기 엄금 구역입니다. 화기 사용을 금지합니다.』 ⑤ SPA. 『Prohibido encender fuego. No se permite el uso de productos inflamables en el servicio.』 Buzzer sound <ul style="list-style-type: none"> ① PiPiPiPi Long/short message selectable Message repeat : Once/twice selectable Volume : Mute - Max. 80dB (1m from the sensor)
Tamper	Relay contact output N.C. is issued when the sensor unit is detached from the base unit Output AC/DC30V 0.1A
Wiring	By terminals
Ambient temperature	-10°C (+ 14°F) ~ + 60°C (+ 140°F) Without condensation Battery performance may decrease under 0°C (+ 32°F) or beyond + 40°C (+ 104°F)
Installation	Indoor
Functions	Tamper signal, Low battery indication
Appearance	ABS Resin (White)

*Specifications and design are subject to change without prior notice.

Limited Warranty :

TAKEX products are warranted to be free from defects in material and workmanship for 12 months from original date of shipment. Our warranty does not cover damage or failure caused by Acts of God (including inductive surge by lightning), abuse, misuse, abnormal usage, faulty installation, improper maintenance or any repairs other than those provided by TAKEX. All implied warranties with respect to TAKEX, including implied warranties for merchantability and implied warranties for fitness, are limited in duration to 12 months from original date of shipment. During the Warranty Period, TAKEX will repair or replace, at its sole option, free of charge, any defective parts returned prepaid. Please provide the model number of the products, original date of shipment and nature of difficulty being experienced. There will be charges rendered for product repairs made after our Warranty period has expired.

TAKEX

In Japan

Takenaka Engineering Co., Ltd.
83-1, Gojo-sotokan,
Higashino, Yamashina-ku,
Kyoto 607-8156, Japan
Tel : 81-75-501-6651
Fax : 81-75-593-3816
<http://www.takex-eng.co.jp/>

In the U.S.

Takex America Inc.
3350 Montgomery Drive,
Santa Clara,
CA 95054, U.S.A.
Tel : 408-747-0100
Fax : 408-734-1100
<http://www.takex.com>

In Australia

Takex America Inc.
4/15 Howleys Road,
Notting Hill VIC,
3168, Australia
Tel : +61 (03) 9544-2477
Fax : +61 (03) 9543-2342

In the U.K.

Takex Europe Ltd.
Takex House, Aviary Court,
Wade Road, Basingstoke,
Hampshire, RG24 8PE, U.K.
Tel : (+44) 01256-475555
Fax : (+44) 01256-466268
<http://www.takexurope.com>