

Network Video Recorder

NVR301-S3-P Series



Key Features

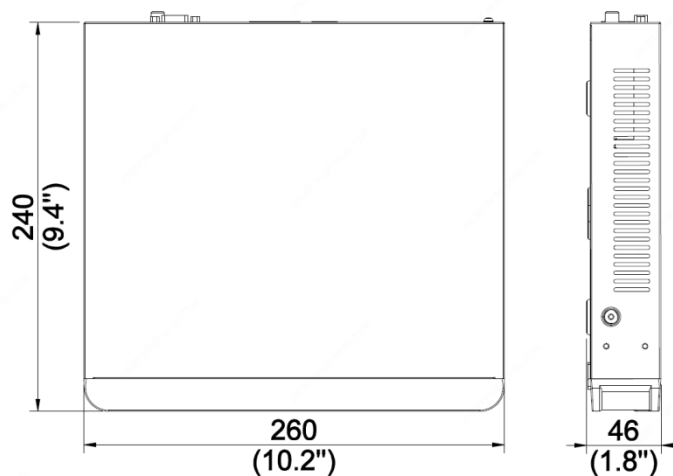
- Support Ultra 265/H.265/H.264 video formats
- 4/8/16-channel input
- Plug & Play with 4/8 independent PoE network interfaces
- Support mainstream cameras of ONVIF conformance(Profile S, Profile G, Profile T) and RTSP protocols
- Support 1-ch HDMI, 1-ch VGA, HDMI at up to 4K(3840x2160) resolution
- HDMI and VGA simultaneous output
- Up to 4K resolution recording
- 1 SATA HDDs, up to 8 TB
- Support cloud upgrade

Specifications

Model	NVR301-04S3-P4	NVR301-08S3-P8	NVR301-16S3-P8
Video/Audio Input			
IP Video Input	4-ch	8-ch	16-ch
Network			
Incoming Bandwidth	64Mbps		
Outgoing Bandwidth	48Mbps		
Remote Users	128		
Protocols	TCP/IP, P2P, UPnP, NTP, DHCP, PPPoE, HTTP, HTTPS, DNS, DDNS, SMTP, RTSP		
Video/Audio Output			
HDMI/VGA Output	HDMI: 4K(3840x2160)/30Hz, 1920x1080/60Hz, 1920x1080/50Hz, 1600x1200/60Hz, 1280x1024/60Hz, 1280x720/60Hz, 1024x768/60Hz VGA: 1920x1080/60Hz, 1920x1080/50Hz, 1600x1200/60Hz, 1280x1024/60Hz, 1280x720/60Hz, 1024x768/60Hz		
Recording Resolution	4K/5MP/4MP/3MP/1080p/960p/720p/D1/2CIF/CIF		
Audio Output	1-ch, RCA		
Audio Compression	G.711A, G.711U		
Synchronous Playback	4-ch	8-ch	16-ch
Liveview display	1/4	1/4/6/8/9	1/4/6/8/9/16
Corridor Mode Screen	3/4	3/4/5/7/9	3/4/5/7/9/10/12/16
Snapshot			
FTP/Schedule/Event Snapshot	1-ch snapshot, up to D1 resolution		
Decoding			
Decoding format	Ultra 265/H.265/H.264		
Live view/Playback	4K/5MP/4MP/3MP/1080p/960p/720p/D1/2CIF/CIF		
Capability	1 x 4K@30, 4 x 5MP@25, 4 x 4MP@25, 4 x 3MP@25, 4 x 1080p@30	1 x 4K@30, 4 x 5MP@25, 4 x 4MP@25, 4 x 3MP@25, 4 x 1080p@30, 8 x 720p@30	1 x 4K@30, 4 x 5MP@25, 4 x 4MP@25, 4 x 3MP@25, 4 x 1080p@30, 8 x 720p@30, 16 x D1
Hard Disk			
SATA	1 SATA interfaces		
Capacity	Up to 8TB for each disk (The maximum HDD capacity varies with environment temperature)		
Smart			
VCA Detection by Camera	Face Detection, Intrusion Detection, Cross Line Detection, Enter Area, Leave Area, Audio Detection		
VCA Search	Face Search, Behavior Search		
Smart Intrusion Prevention (SIP) by Camera	4-ch(supports channel 1-4; Alarm only, no image)		
Face Detection by Camera	4-ch		
General Alarm			
General Alarm	Motion, Tampering, Human Body Detection, Video Loss, Alarm Input		

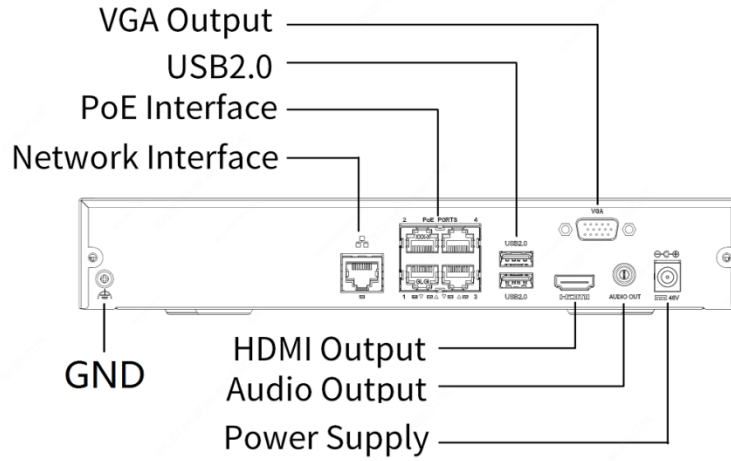
Alert Alarm	IP Conflict, Network Disconnected, Disk Offline , Disk Abnormal, Illegal Access, Hard Disk Space Low, Hard Disk Full, Recording/Snapshot Abnormal	
External Interface		
Network Interface	1 RJ-45 10M/100Mself-adaptive Ethernet Interface	
USB Interface	Rear panel: 2 x USB2.0	
RS232	NA	
RS485	NA	
Alarm In	NA	
Alarm Out	NA	
PoE		
Interface	4 RJ-45 10M/100Mself-adaptive Ethernet Interface	8 RJ-45 10M/100Mself-adaptive Ethernet Interface
Max Power	Max 30W for single port Max 54W in total	Max 30W for single port Max 75W in total
Supported Standard	IEEE 802.3at, IEEE 802.3af	
General		
Power Supply	48V DC Power Consumption: ≤9 W (without HDD)	52V DC Power Consumption: ≤9 W (without HDD)
Working Environment	-10°C~+ 55°C (+14°F~+131°F), Humidity ≤ 90% RH (non-condensing)	
Dimensions (W×D×H)	260mm ×240mm × 46 mm (10.2" × 9.4" ×1.8")	
Weight (without HDD)	≤1.1kg (2.43lb)	
Certification		
Certification	CE, FCC, UL, RoHS, WEEE	
CE	EN 55032: 2015, EN 61000-3-3: 2013, EN IEC 61000-3-2: 2019, EN 55035: 2017	
FCC	Part15 Subpart B, ANSI C63.4	

Dimensions



Rear Panel

Take **NVR301-04S3-P4** for example



Zhejiang Uniview Technologies Co., Ltd.

Building No.10, Wanlun Science Park, Jiangling Road 88, Binjiang District, Hangzhou, Zhejiang, China

Email: overseasbusiness@uniview.com; globalsupport@uniview.com

<http://sgcdn.uniview.com>

©2020 -2022 Zhejiang Uniview Technologies Co., Ltd. All rights reserved.

* Product specifications and availability are subject to change without notice.